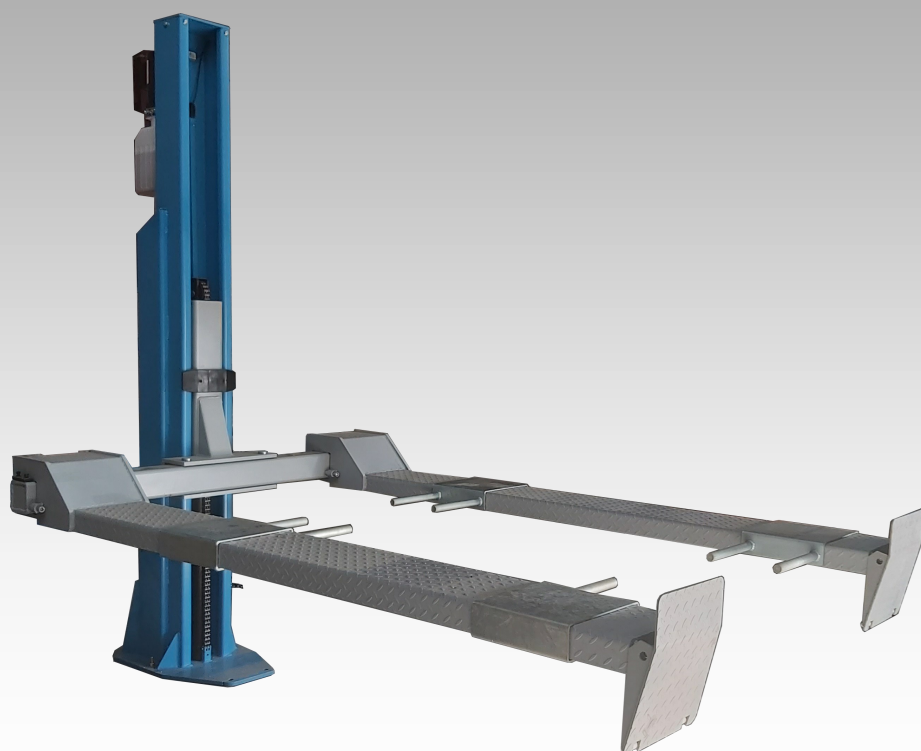


1 Post Lift for buggy HP-110



	1.000 kg
	30/30 sg
	2,2 kw
	1 ph/ 220 V 3 ph/ 380 V



1 Post lift ideal for maintenance and repairing works of the vehicles used in golf camps, as buggies , mowers, karts, quads ...

FEATURES

- » Capacity: **1.000 Kg**
- » Maximum lifting height: **1.890 mm.**
- » Minimum lifting height: **80 mm.**
- » Post height: **2.826 mm.**
- » Platform length: **2.300 mm.**
- » Platform width: **300 mm.**
- » Platform length complete: **2.600 mm.**
- » Total width: **1.780 mm.**
- » Motor: **220V / 380V**
- » Rise / Descent time: **30s / 30s**
- » Accessory: **Quad support**

